

Stainless Steel Blanks

Stainless Steel Cable Markers 0.5mm (also known as Marker Plates MP)

Our MetalMaster laser will not require cermark spray

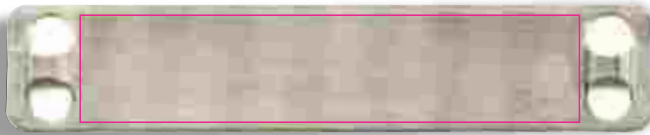


Tag Cable MP 80x8mm 100 @ \$0.39ea ex
 Tag Cermark patch 80x8 100@ \$0.49 ea ex

When engraving with a CO2 laser engraver, then Cermark Patches or spray is required best to use cermark patch

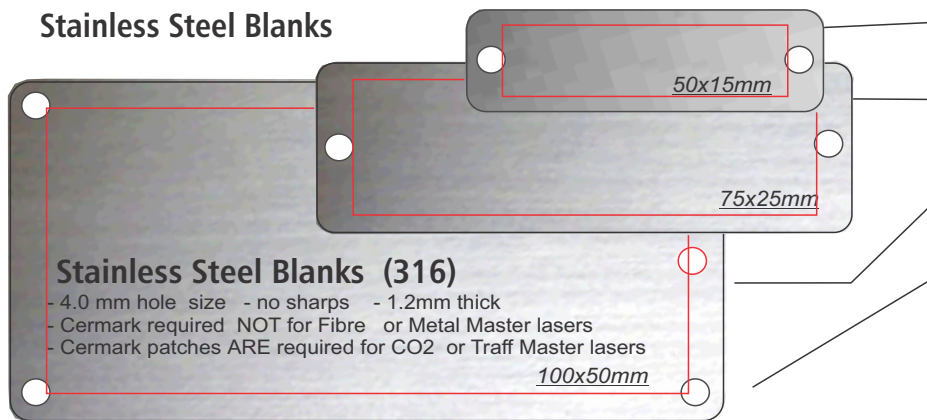


Tag Cable MP 90x9mm 100 @ \$0.52ea ex
 Tag Cermark patch 90x9 100@ \$0.59 ea ex



Tag Cable MP 90x20mm 100 @ \$1.15ea ex
 Tag Cermark patch90x20 100@ \$0.79 ea ex

Stainless Steel Blanks



Tag Pannel SS 50x15xmmH2 100 @ \$3.20 ea ex
 Tag Cermark patch 50x15 100@ \$0.69 ea ex

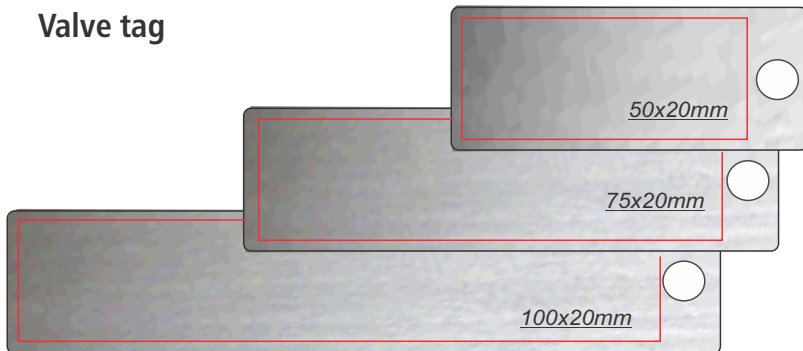
Tag Pannel SS 75x25mmH2 100 @ \$4.20 ea ex
 Tag Cermark patch 75x25 100@ 1.80 ea ex

Tag Pannel SS 100x50mmH2 100 @ \$5.60 ea ex
 Tag Cermark patch 100x50 100@ \$3.90 ea ex

Tag Pannel SS 100x50mmH4 100 @ \$5.60 ea ex
 Tag Cermark patch 100x50 100@ \$3.90 ea ex

Tag Pannel SS 140x40mmH2 100 @ \$6.44 ea ex

Valve tag



Tag ValveSS 50x20xmmHL 100 @ \$2.90 ea ex
 Tag Cermark patch 50x20 100@ \$1.28ea ex

Tag Valve SS 75x20mmHL 100 @ \$3.50 ea ex
 Tag Cermark patch 75x20 100@ 2.06 ea ex

Tag Pannel SS 100x20mmHL 100 @ \$4.20 ea ex
 Tag Cermark patch 100x20 100@ \$2.75 ea ex



Safe Cermark Patches

for CO2 laser machines to have permanent Black text on Stainless steel.
 -Simply apply self adhesive patch and rub off tape after lasering
 -Much cheaper than spraying
 -much safer than spraying Cermark
 - no hazards transport issues

Cermark TAPE
 has no transport issues



Cermark Tape 25mm x 1M @ \$ 35 ea ex
 Cermark Tape 25mm x 15M @ \$ 250 ea ex

Cermark Tape 50mm x 1M @ \$ 52 ea ex
 Cermark Tape 50mm x 15M @ \$ 350 ea ex

Cost Warning to transport and use "Cermark spray"



Cermark Spray 1 @ \$165ex
Cermark Spray 3@ \$155ex
Cermark Spray 12@ \$145ex



Cermark Paste 250g 1 @ \$290ex
Cermark Paste 500g 1 @ \$530ex

3 stainless steel cable markers