

Stainless Steel Blanks

For (FIBRE LASER)

METALMASTER

Order the Tag with the **BLACK** part No

For (CO2 LASER)

TraffMaster

Order **BOTH** the Tag with the **BLACK** part No
AND the Cermark with the **RED** part No

Stainless Steel Cable Markers 0.5mm (also known as Marker Plates MP)

Our MetalMaster laser will not require cermark spray



Tag Cable MP 80x8mm 100 @ \$0.74ea ex
Tag Cermark patch 80x8 100@ \$0.54 ea ex

When engraving with a CO2 laser engraver, then Cermark Patches or spray is required best to use cermark patch

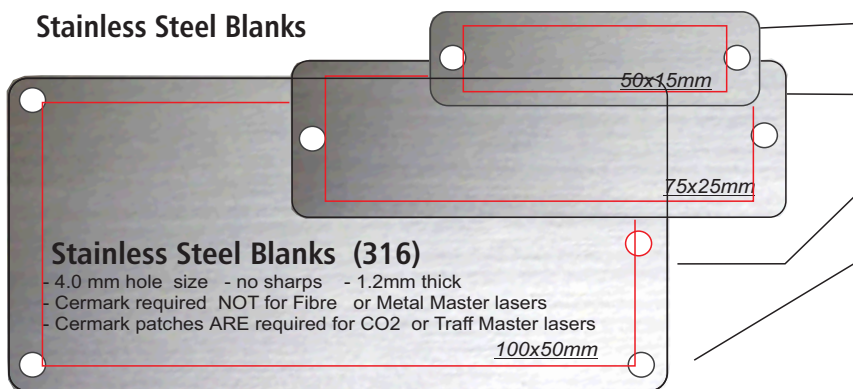


Tag Cable MP 90x9mm 100 @ \$0.78ea ex
Tag Cermark patch 90x9 100@ \$0.68 ea ex



Tag Cable MP 90x20mm 100 @ \$1.85ea ex
Tag Cermark patch90x20 100@ \$0.99 ea ex

Stainless Steel Blanks



Tag Pannel SS 50x15mmH2 100 @ \$3.50ea ex
Tag Cermark patch 50x15 100@ \$0.89 ea ex

Tag Pannel SS 75x25mmH2 100 @ \$4.50 ea ex
Tag Cermark patch 75x25 100@ 2.20 ea ex

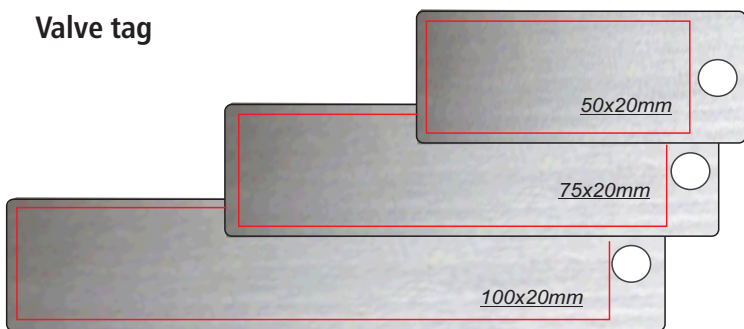
Tag Pannel SS 100x50mmH2 100 @ \$5.90 ea ex
Tag Cermark patch 100x50 100@ \$4.80 ea ex

Tag Pannel SS 100x50mmH4 100 @ \$6.10 ea ex
Tag Cermark patch 100x50 100@ \$4.30 ea ex

Tag Pannel SS 140x40mmH2 100 @ 6.70 ea ex
Tag Cermark patch 140x50 100@ \$4.80ea ex

L+Bx2 x1.4c +\$1.40=formular

Valve tag



Tag ValveSS 50x20xmmH1 100 @ \$3.85 ea ex
Tag Cermark patch 50x20 100@ \$1.68ea ex

Tag Valve SS 75x20mmH1 100 @ \$4.50 ea ex
Tag Cermark patch 75x20 100@ 2.20 ea ex

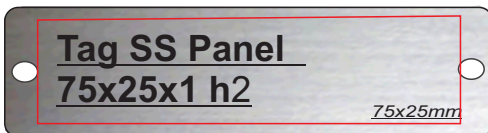
Tag Pannel SS 100x20mmH1 100 @ \$5.60 ea ex
Tag Cermark patch 100x20 100@ \$3.15 ea ex

Blank Stainless Plates

MetalMaster

Fibre engraving machines engrave directly into stainless and Cermark is **not required**. For workshops with high quantities of stainless steel engraving, consider our MetalMaster15 as it will engrave stainless 20 times faster and no chemicals or patches are required

TraffMaster CO2 Machines need Cermark to Engrave Stainless Steel. We recommend our Cermark patches, Cermark patches, are easy to apply, easy to transport, no blocked nozzles, no hazard spraying issues.



Tag-Panel SS 75x25mmH2 100 @ \$4.50 ea ex
Tag-Cermark Patch (to suit) 75x25mm 100 @ \$2.20 ea ex



Tag Cable MP 90x9mm 100 @ \$0.78ea ex
Tag Cermark patch 90x9 100@ \$0.68 ea ex

Cermark TAPE
has no transport issues



Cermark Strip 25mm x 1M @ \$ 37.45 ea ex
Cermark Tape 25mm x 15M @ \$ 316 ea ex

Cermark Strip 50mm x 1M @ \$ 55.68 ea ex
Cermark Tape 50mm x 15M @ \$ 423 ea ex

Cermark Strip 75mm x 1M @ \$ 84ea ex
Cermark Tape 75mm x 15M @ \$ 706 ea ex



Cermark Paste
250g 1 @ \$312ex
500g 1 @ \$567ex



Cermark Spray 1 @ \$185ex
Cermark Spray 12 @ \$165ex

Cost Warning to transport "Cermark Aerosol Can" (hard to freight DG)
Hazard safety spraying issues --follow safe venting procedure.

www.engravingsupplies.com.au